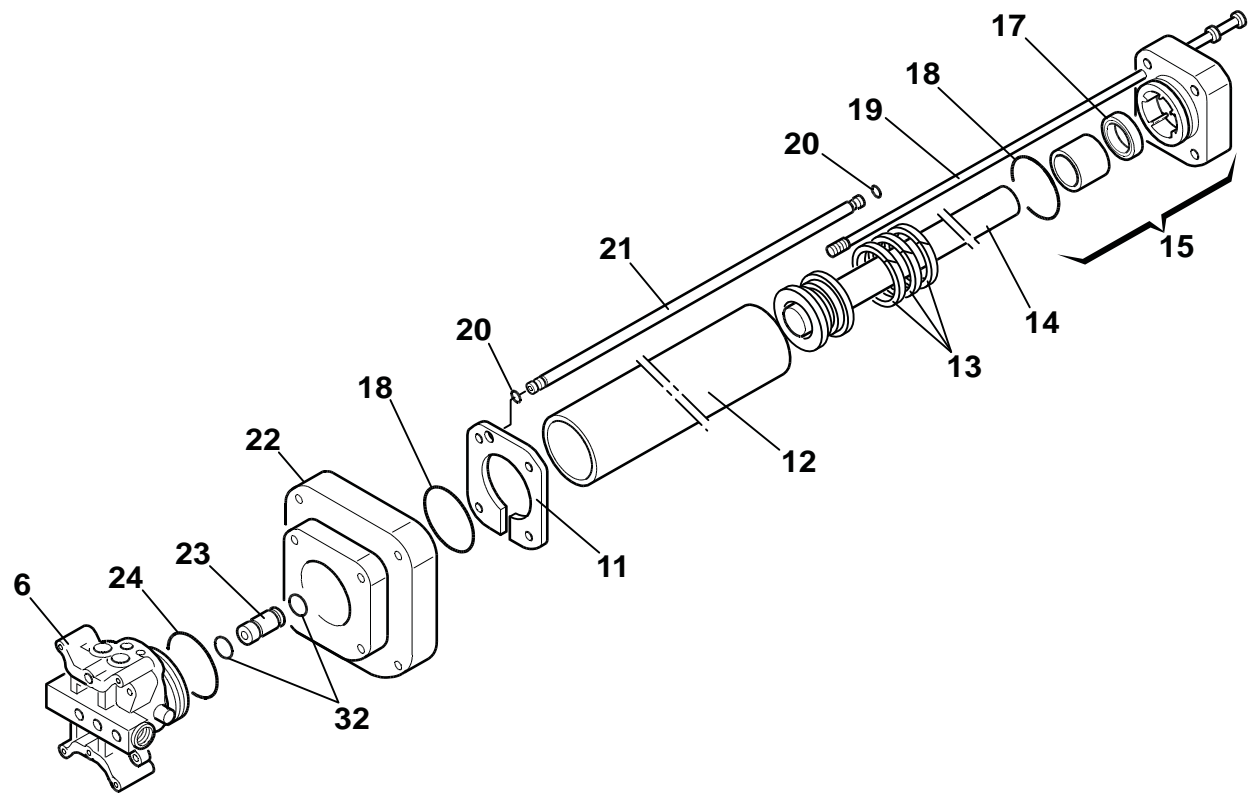


| Pos. | Code          | Description                                 | Q.ty | Purch. |
|------|---------------|---|------|--------|
| 0    | 422CBAC2_01-0 | 422 CBAC 2                                  |      |        |
| 00   | 422_3_01_06   | 422_3                                       |      |        |
| 000  | 422_4_11_06   | 422_4                                       |      |        |
| 002  | 7220015       | REAR BRAKET MOTOR 400/87                    | 1    | Yes    |
| 003  | 7284005       | REAR BRACKET 400/87                         | 1    | Yes    |
| 004  | 7182075       | SHORT PIN 400                               | 1    | Yes    |
| 005  | 7228015       | REAR FORK 400/402 WORKED                    | 1    | Yes    |
| 008  | 70991015      | GASKET FOR TANK 84,7 X 84,7 mm              | 2    | Yes    |
| 011  | 7119475       | BUFFER VIBRATION FOR 400/402                | 2    | Yes    |
| 015  | 7700055       | MOTOR 220V.4P.MONOF.C/T.120ø (M.I.)         | 1    | Yes    |
| 016  | 7119485       | BUFFER VIBRATION FOR 400/402                | 2    | Yes    |
| 017  | 7161815       | 422 OPERATOR TANK 2005                      | 1    | Yes    |
| 018  | 7320065       | BREATHER SCREW TICKET                       | 1    | Yes    |
| 019  | 7182175       | LONG PIN 400-402                            | 1    | Yes    |
| 021  | 7110015       | CAP   | 1    | Yes    |
| 023  | 7094065       | COPPER WASHER 7X4X1                         | 1    | Yes    |
| 029  | 3204425       | CAST IRON PUMP 1 LT WITH INTEGRATED DISTAN. | 1    | Yes    |
| 031  | 7090010015    | SEAL OR 4,48X1,78 (2018)                    | 3    | Yes    |
| 033  | 7260995       | PRO-DEC SD2-100 CAP                         | 1    | Yes    |
| 034  | 7073035       | M10 JOINT                                   | 1    | Yes    |
| 035  | 7271545       | SW.G.O.402-422 FRONT CASING COVER           | 1    | Yes    |
| 036  | 7114025       | FIX CAP CARTER                              | 1    | Yes    |
| 037  | 7272125       | SW.G.O.422 PROTECTIVE HOUSING               | 1    | Yes    |
| 038  | 7220515       | SW.G.OPERATOR 422 FIXING BRAKET             | 1    | Yes    |
| 039  | 4900605       | SW.G.O. 422 ARTICULATION PACKAGE            | 1    | Yes    |
| 040  | 3900995       | 422 SKINPACK NEW RELEASE '05                | 1    | Yes    |
| 041  | 490328        | SEAL KIT 422 TYPE 2005                      | 1    | Yes    |
| 042  | 714017        | HYDRAULIC OIL FAAC HP OIL LT. 1             | 1.1  | Yes    |
| 043  | 7601351       | CAPACITOR PP 8MF-400V WIRES UNIP.250MM      | 1    | Yes    |
| 044  | 4900645       | ALLUMINIUM FORK KIT                         | 1    | Yes    |
| 045  | 113221        | SPARE PACKAGING OPERATOR 402/422            | 1    | Yes    |

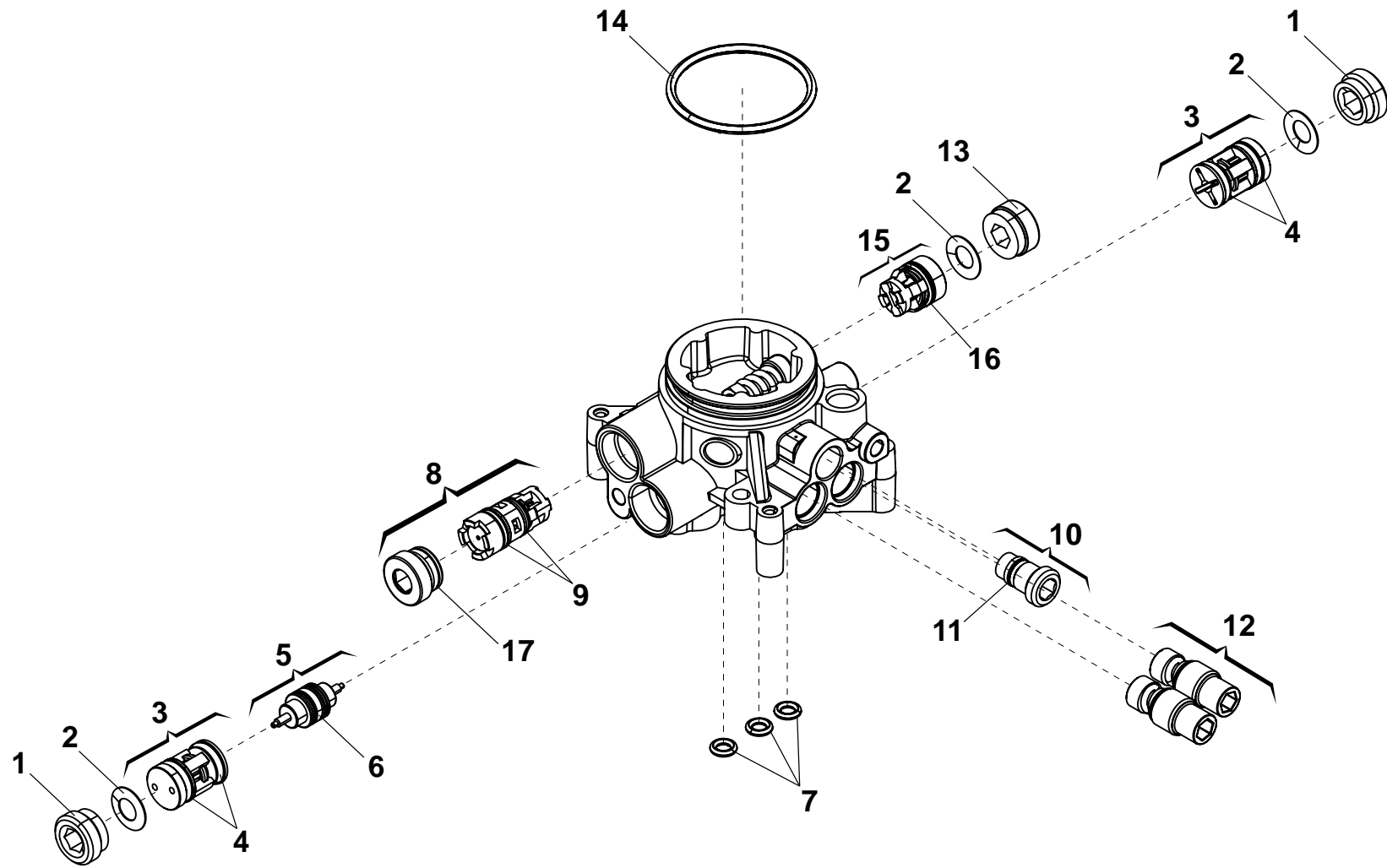


422 CBAC

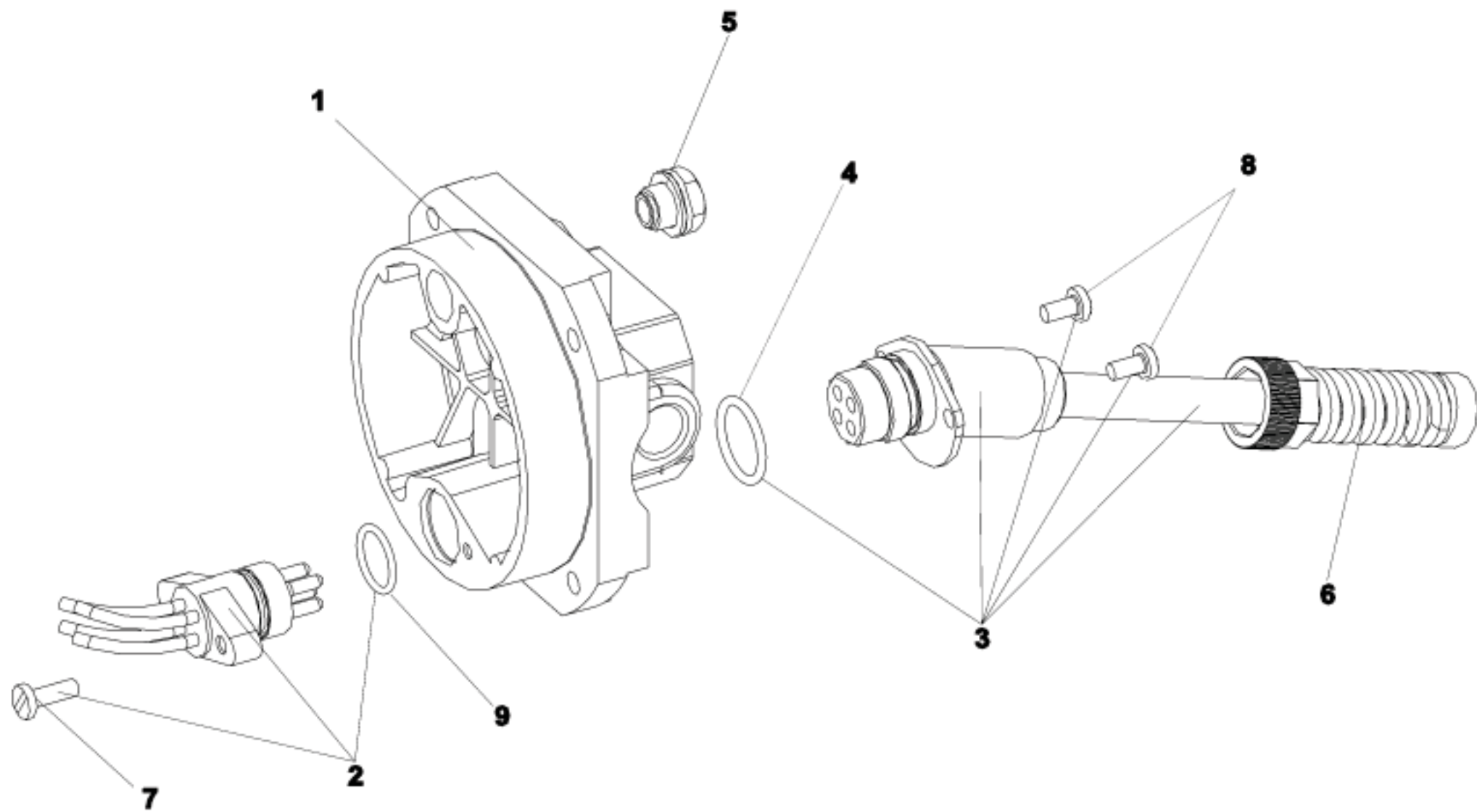
HYDRAULIC OP. FOR SWING GATES



| Pos. | Code          | Description                          | Q.ty | Purch. |
|------|---------------|--------------------------------------|------|--------|
| 0    | FLANGIA_422_C | 422 CBAC DISTRIBUTION FLANGE         |      |        |
| 006  | 4994655       | 400/90 CBAC FLANGE                   | 1    | Yes    |
| 011  | 7271555       | SW.G.O.PROTECTIVE HOUSING REAR COVER | 1    | Yes    |
| 012  | 7366065       | CYLINDER PISTON 402                  | 1    | Yes    |
| 013  | 7095035       | GASKET POLYPAC EUD 709503/K          | 1    | Yes    |
| 014  | 4350085       | PISTON ASSEMBLY 422                  | 1    | Yes    |
| 015  | 4994165       | FRONT FLANGE 402                     | 1    | Yes    |
| 017  | 63000655      | EU 1624/SP-Z20 SEAL                  | 1    | Yes    |
| 018  | 7090350025    | GASKET OR 34.60X2.62 (3137)          | 2    | Yes    |
| 019  | 7230225       | SW.G.O. PISTON BRACE                 | 4    | Yes    |
| 020  | 7090635       | SEAL ORM 5x1,5 (0050-15)             | 2    | Yes    |
| 021  | 7361315       | RETRACT TUBE ALUM.                   | 1    | Yes    |
| 022  | 499449        | GR.FLANGE INTERFACE 422              | 1    | Yes    |
| 023  | 7361035       | OIL PIPE                             | 1    | Yes    |
| 024  | 63000148      | O-RING 2,62X39,34 NB70 X 5 PCS.      | 1    | Yes    |
| 032  | 7090280015    | GASKET OR 5.28X1.78 (2021)           | 3    | Yes    |



| Pos. | Code       | Description                          | Q.ty | Purch. |
|------|------------|--------------------------------------|------|--------|
| 001  | 7049005    | BRASS VALVE RETAINING RING NUT       | 2    | Yes    |
| 002  | 63000577   | CUP SPRING 14X7,2X0,35 DIN2093       | 3    | Yes    |
| 003  | 4404085    | STOP VALVE IN ZAMAK                  | 2    | Yes    |
| 004  | 63000164   | O-RING 1,80X10,20 NB70               | 4    | Yes    |
| 005  | 4180285    | CHANGE OVER PISTON WITH OR           | 1    | Yes    |
| 006  | 7090300015 | GASKET OR 7.66X1.78 90 SHORE         | 1    | Yes    |
| 007  | 7090010015 | SEAL OR 4,48X1,78 (2018)             | 3    | Yes    |
| 008  | 4404095    | 2006 SUCTION VALVE                   | 1    | Yes    |
| 009  | 490328     | SEAL KIT 422 TYPE 2005               | 1    | Yes    |
| 010  | 4180195    | 400/89 OUTLET INTERNAL CAP           | 1    | Yes    |
| 011  | 7090280015 | GASKET OR 5.28X1.78 (2021)           | 1    | Yes    |
| 012  | 4180415    | KIT BY PASS CAP DELIVERY '05 400/422 | 2    | Yes    |
| 013  | 7049135    | VALOX VALVE RETAINING RING NUT       | 1    | Yes    |
| 014  | 63000148   | O-RING 2,62X39,34 NB70 X 5 PCS.      | 1    | Yes    |
| 015  | 4404065    | SUCTION VALVE WITH SPRING            | 1    | Yes    |
| 016  | 7090050015 | GASKET OR 10.82X1.78 (2043)          | 1    | Yes    |
| 017  | 7090795    | OR 11,2X1,8 NBR 70SHR A SEAL         | 1    | Yes    |



| Pos. | Code       | Description                          | Q.ty | Purch. |
|------|------------|--------------------------------------|------|--------|
| 001  | 7171485    | BACK FLANGE OF MOULDED CABLE         | 1    | Yes    |
| 002  | 417010     | MOULDED CONNECTOR GROUP              | 1    | Yes    |
| 003  | 4284065    | MOULDED CABLE FEMALE KIT             | 1    | Yes    |
| 004  | 7090290015 | O'RING SEAL 15,6X1,78                | 1    | Yes    |
| 005  | 7110015    | CAP                                  | 1    | Yes    |
| 006  | 7109135    | CABLE GLAND                          | 1    | Yes    |
| 007  | 701479     | SCREW UNI 8112-3X12 PZ/TT Z          | 1    |        |
| 008  | 701466     | SCREW AUT. TRILOBITE M3X8 8112 C15 Z | 2    |        |
| 009  | 7090080025 | GASKET OR 11.91X2.62 ( 115)          | 1    | Yes    |